

Data sheet

TMS

PRODUCT DESCRIPTION

Monofrequency metal detector.



MAIN FEATURES

- Brushless motors and drive boards, speeds up to 55 m/min
- Working temperature: from 0°C to +40°C
- Power supply: 230 Vac (Hz 50/60)
- Maximum power: 800 W (with brushless motor)
- Structure and carpentry in aluminum and stainless steel
- Height of belt from the ground: 850 +/- 50 mm
- Control Power Box available according to Standards UL 508A and CSA-C22.2 No. 14-05
- Light column with LED technology

PROBES:

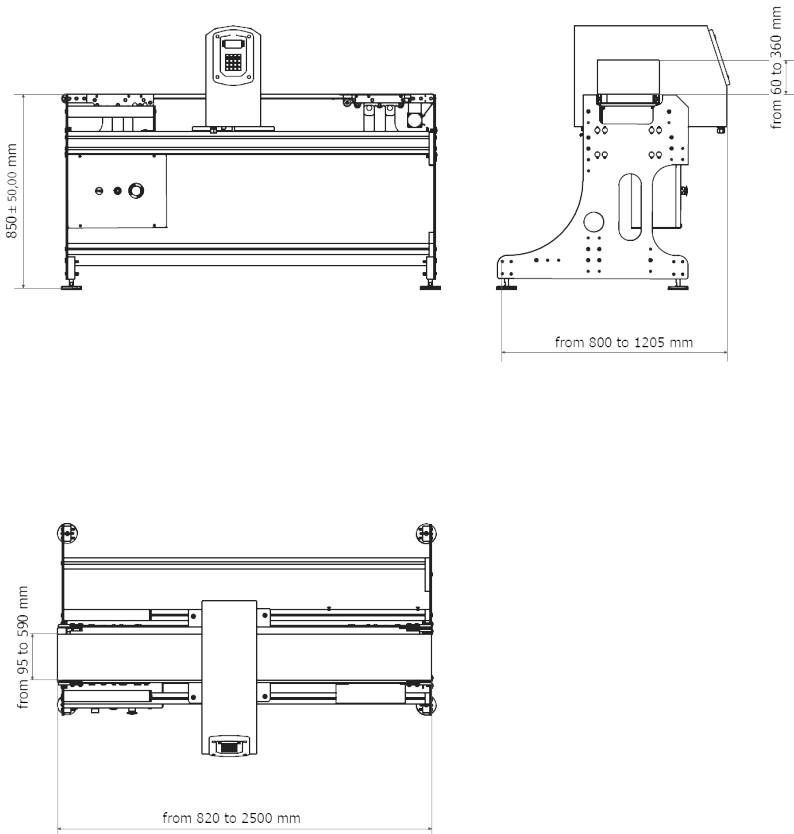
- Superior detection capability of magnetic and non-magnetic metallic contaminants including stainless steels
- Effective compensation of the effect produced
- Complies with FDA 21 CFR Part 11: Safety; Integrity; Data traceability
- Structure in AISI 316L stainless steel and EU, FDA compliant food-grade plastic materials
- Superior construction can withstand high pressure washdowns
- High sensitivity to all magnetic and non-magnetic metals including stainless steels
- Multi-frequency technology for maximum sensitivity to changes in the Product Effect
- High immunity to environmental disturbances
- Structure and components in AISI 316L stainless steel with IP65 protection rating
- 250 storable products, selectable from local programming or network software
- 1000 archiveable events
- 4x20 character alphanumeric display
- Local programming: 4 keys (3 with dual function)

OPTIONS

- Piston ejector, arm and pneumatic blow
- Stainless steel and plastic collection basket
- Overflow photocell
- Continuous waste photocell
- Infeed product guides



LAYOUT



DIMENSIONS useful belt (mm)

	HEIGHT	EJECTOR	WITH EJECTOR
SERIES 95	60	95x820	95x1020
SERIES 140	60	140x820	140x1020
	85	140x870	140x1070
	110	140x920	140x1120
	135	140x970	140x1170
	160	140x1020	140x1220
	185	140x1070	140x1270
	210	140x1120	140x1320
SERIES 185	60	185x820	140x1070
	85	185x870	140x1120
	110	185x920	140x1170
	135	185x970	140x1220
	160	185x1020	140x1270
	185	185x1070	140x1320
	210	185x1120	140x1370
SERIES 230	60	230x820	230x1170
	85	230x870	230x1220
	110	230x920	230x1270
	135	230x970	230x1320
	160	230x1020	230x1370
	185	230x1070	230x1420
	210	230x1120	230x1470
SERIES 275	60	275x820	275x1270
	85	275x870	275x1320
	110	275x920	275x1370
	135	275x970	275x1420
	160	275x1020	275x1470
	185	275x1070	275x1520
	210	275x1120	275x1570
SERIES 320	60	320x820	320x1270
	85	320x870	320x1320
	110	320x920	320x1370
	135	320x970	320x1420
	160	320x1020	320x1470
	185	320x1070	320x1520
	210	320x1120	320x1570
SERIES 360	60	360x1961	360x2461
SERIES 420	60	420x820	420x1370
	85	420x870	420x1420
	110	420x920	420x1470
	135	420x970	420x1520
	160	420x1020	420x1570
	185	420x1070	420x1620
	210	420x1120	420x1670
SERIES 510	60	510x820	510x1370
	85	510x870	510x1420
	110	510x920	510x1470
	135	510x970	510x1520
	160	510x1020	510x1570
	185	510x1070	510x1620
	210	510x1120	510x1670
SERIES 590	110	590x1120	590x1870



R.S. Bilance S.r.l.
Via Rinaudo, 19, Valcorrente - 95032 Belpasso CT
Tel. +39 095 3523283
commerciale@rsbilance.com
www.rsbilance.com