

## Data sheet

---

### TMS M

#### PRODUCT DESCRIPTION

Multispectrum metal detector.



#### MAIN FEATURES

---

- Brushless motors and drive boards, speeds up to 55 m/min
- Working temperature: from 0°C to +40°C
- Power supply: 230 Vac (Hz 50/60)
- Maximum power: 800 W (with brushless motor)
- Structure and carpentry in aluminum and stainless steel
- Height of belt from the ground: 850 +/- 50 mm
- Control Power Box available according to Standards UL 508A and CSA-C22.2 No. 14-05
- Light column with LED technology

#### PROBES:

- Superior detection capability of magnetic and non-magnetic metallic contaminants including stainless steels
- Effective compensation of the effect produced
- Complies with FDA 21 CFR Part 11: Safety; Integrity; Data traceability
- Structure in AISI 316L stainless steel and EU, FDA compliant food-grade plastic materials
- Superior construction can withstand high pressure washdowns
- High sensitivity to all magnetic and non-magnetic metals including stainless steels
- Multi-frequency technology for maximum sensitivity to changes in the Product Effect
- High immunity to environmental disturbances
- Structure and components in AISI 316L stainless steel with IP65 protection rating
- 250 storable products, selectable from local programming or network software
- 1000 archiveable events
- 4x20 character alphanumeric display
- Local programming: 4 keys (3 with dual function)

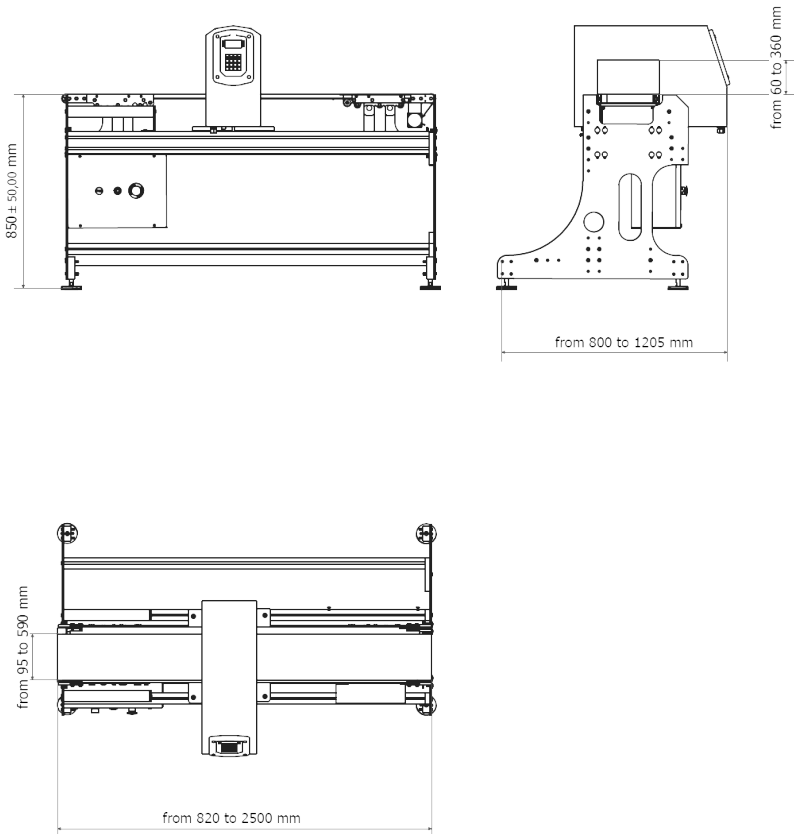
#### OPTIONS

---

- Piston ejector, arm and pneumatic blow
- Stainless steel and plastic collection basket
- Overflow photocell
- Continuous waste photocell
- Infeed product guides



## LAYOUT



**DIMENSIONS** useful belt (mm)

	HEIGHT	EJECTOR	WITH EJECTOR
<b>SERIES 95</b>	60	95x820	95x1020
<b>SERIES 140</b>	60	140x820	140x1020
	85	140x870	140x1070
	110	140x920	140x1120
	135	140x970	140x1170
	160	140x1020	140x1220
	185	140x1070	140x1270
	210	140x1120	140x1320
<b>SERIES 185</b>	60	185x820	140x1070
	85	185x870	140x1120
	110	185x920	140x1170
	135	185x970	140x1220
	160	185x1020	140x1270
	185	185x1070	140x1320
	210	185x1120	140x1370
<b>SERIES 230</b>	60	230x820	230x1170
	85	230x870	230x1220
	110	230x920	230x1270
	135	230x970	230x1320
	160	230x1020	230x1370
	185	230x1070	230x1420
	210	230x1120	230x1470
<b>SERIES 275</b>	60	275x820	275x1270
	85	275x870	275x1320
	110	275x920	275x1370
	135	275x970	275x1420
	160	275x1020	275x1470
	185	275x1070	275x1520
	210	275x1120	275x1570
<b>SERIES 320</b>	60	320x820	320x1270
	85	320x870	320x1320
	110	320x920	320x1370
	135	320x970	320x1420
	160	320x1020	320x1470
	185	320x1070	320x1520
	210	320x1120	320x1570
<b>SERIES 360</b>	60	360x1961	360x2461
<b>SERIES 420</b>	60	420x820	420x1370
	85	420x870	420x1420
	110	420x920	420x1470
	135	420x970	420x1520
	160	420x1020	420x1570
	185	420x1070	420x1620
	210	420x1120	420x1670
<b>SERIES 510</b>	60	510x820	510x1370
	85	510x870	510x1420
	110	510x920	510x1470
	135	510x970	510x1520
	160	510x1020	510x1570
	185	510x1070	510x1620
	210	510x1120	510x1670
<b>SERIES 590</b>	110	590x1120	590x1870



---

R.S. Bilance S.r.l.  
Via Rinaudo, 19, Valcorrente - 95032 Belpasso CT  
Tel. +39 095 3523283  
commerciale@rsbilance.com  
www.rsbilance.com