

Scheda tecnica

GWX PLUS 25P

PRODUCT DESCRIPTION

Variable weight price labeler.

Variable weight and/or predetermined weight labeling with statistical control that is fully configurable and can be integrated into external software.

Approved (MID)



MAIN FEATURES

- Cadences up to 25 ppm (stop and go operation)
- Capacity: 3 kg - 1g / 6 kg - 2 g with motorized belts width 225
- Capacity: 6 kg - 2 g with motorized belts 225, 270 and 315 mm width
- 2 motorized closed loop belts
- Brushless motor and drive board, speed up to 40 m/min
- Working temperature: from 0°C to +40°C
- Power supply: 230 Vac (Hz 50/60)
- Maximum power: 0.85 kW
- 12" resistive PC/Panel display, suitable for use with gloves and in the presence of water/condensation
- Structure and carpentry in aluminum and stainless steel
- Height of belt from the ground: 850 +/- 50 mm
- Machine management via PLC
- Printing method: thermal and/or direct transfer
- Resolution: 8 dots/mm, 203 dpi (optional: 12 dots/mm, 300 dpi)
- Print speed: 203 dpi, 457 mm/s - 300 dpi, 300 mm/s
- Label dimensions: from 40x40 to 100 mm x 110 mm
- Print width: 104 mm
- Internal roll diameter: 76 mm
- External roll diameter: 300 mm
- Ribbon capacity of 600 meters
- Compressed air label application (AIR BLAST), 6 bar 60 l/min, multi-label firing chamber with mechanical adjustment and position indicator
- Label application via rotary pneumatic arm with sponge application plate, consumption 4/6 bar 40 l/min
- Horizontal, vertical and rotational (180°) printing group mechanism movement

OPTIONS

- 6000 divisions
- Capacity: 15 kg - 5 g
- Additional removable conveyor belts in thermoplastic polymer and stainless steel
- Printing resolution: 300 dpi, speed 300 mm/s
- Automatic print and apply labeling machine with air blast, pneumatic arm or linear piston
- Benchtop labelling machine for totalizations
- 2D camera for label presence and reading
- 2D camera for QR Code reading
- ETHERCAT communication protocol
- External PROFIBUS interface, Profibus protocol with PCB
- Up to 2 piston, arm and air blow ejectors
- Stainless steel and plastic collection basket
- Waste roller conveyor with collection basket
- Photocell of too full
- Led light column for out tolerance and alarms
- Panel PC Touch Screen 18,5", 1 usb 2.0, 1 ethernet
- Stainless steel structure, swivel arm up to 90°

SOFTWARE

Program of price weighting
Program label editor SW CUSTOM LABEL

Selectable functions

- Mode of transport cycle processing (not weighing and not printing), only variable weight and/or weight fixed, weight-pricing and weight-labeling
- Statistical control for fixed weight processing according to Law no. 690 of 25 October 1978 on the entire production batch and related reporting
- Weighing range processing with automatic change of the associated label size at half-time
- Processing with traceability and customer, both referenced in PLU or selected directly from the respective databases regardless of the selected PLU
- Processing with a second currency referenced directly in the PLU, with the possibility of add any other configuration not in database II Currency
- Access credentials managed on 3 levels, with access logging on database
- Expands analysis of weighing history with possible reports related between time references (for date or period) and a maximum of three filters to choose from the saved data, possible export to route desired (local, network or USB port)
- Automatic machine lock for desired weighing number, for remote offline client (synchronous transmission of the weight in real-time), by weight limit and/or by expiry of the lot of traceability
- Automatic totals per box and pallet unit, with automatic printing of the number of copies configured for the respective accumulations upon reaching the indicated number of units or target weight, with the possibility of single or mixed processing with boxes grouped or not grouped in the pallet
- Cancellation of unwanted weighing
- Possible export to desired location (local, network or USB port) of the data (PLU database, Customers and Traceability), Weighing History database and Total database
- Management of the main features of the printing systems present, such as the status and commands reset, feed, last label printing and calibration
- Remote database management by exchanging csv files in shared folders, with the possibility of import the PLU, Customers and Traceability data and export the weighings made
- Possible use of html formatting tags in all text type fields, which allow to change the text style (bold, italic, underlined,..), supporting different types (fonts, alignments, dimensions, bold etc.) in the same text
- Remote machine management via socket (IP address and port) with possible status request, PLU selection, start/stop and weight reception in real-time
- Multilingual selection
- Network machine management software with RS server communication protocol (optional)

PLU

Number of PLU: 9999

Each PLU consists of 125 fields between machine parameters and information available for printing, the main:

- alphanumeric primary key max 10, unique PLU identification code
- 3 secondary alphanumeric keys of max 10 length, to reference the customer databases, Traceability and II Currency
- 37 text fields available for printing, including description and ingredients of max length 500 and 1000, 15 free texts of max length 700, 600, 3 from 500, 3 from 200, 3 from 100 and 4 from 50 characters, and 20 texts of max 30 length to manage the nutritional information in tabular form
- 3 data fields to manage the packaging, expiry and maturing date
- 3 fields to define the price [€/kg] and two possible tare, one in [kg] and the other in [%]
- 3 fields to enable fixed weight machining mode, weight value and number of units in the package (price x unit)
- 2 fields to identify the batch and the number of desired weighings
- 5 support fields for all barcodes, Data Matrix, QR, PDF417, EAN13 and EAN128 with GS1 standard functions
- 11 fields available to define the minimum and maximum weighing threshold and parameters (duration and delay) expulsion, with the possibility of enabling the use of two ejectors, respectively for measurements below and above threshold and any sound
- 3 fields available to set the dynamic or static speed of the machine
- 1 field to enable or not the transport cycle working mode, the machine does not weigh and non-printing
- 5 fields available to enable or not the use of the 5 printing systems available for the machine, specifically, 2 SAP printers. A/B (application from above air blast or pneumatic arm), 1 SAP. AS printer (sub-waste application), 1 SAP.FX printer (seal application) and 1 applicator AP. S (application from above to scrap)

- 9 fields available for each printer to set the labeling processing mode or price-weighting, with the possibility of combining a print format for the weight above threshold and one for that in threshold and configure the application parameters (delay, duration, belt speed of scrap application,....)
- 4 fields available for automatic totals, of which 2 to define the number of units per box and pallet, 2 for the respective printing formats
- 1 field available for the printing format of the manual totals (Partial, General and Lot)

Traceability

Maximum number of lots: 9999

For each lot:

- primary alphanumeric key max 10, unique identifier code of Traceability
- 10 alphanumeric texts of 50 characters available to associate the information of traceability required by the regulations, both for the fish product (from catch to first sale) and for meat (from birth to slaughter)
- data sent from the back office or manually entered (optional from scanner with code EAN128)
- weight limit with configurable alarm
- expiration date with configurable warning

Customers

Maximum number of customers: 9999

For each customer:

- alphanumeric primary key max 10, unique customer identification code
- 3 alphanumeric texts of which one of max length 1000 and two 300 characters, available to associate at the PLU the information related to the various customers, such as the company name

II Currency

Maximum number of currencies: 9999

For each II currency:

- alphanumeric primary key of max 10 length, unique identification code of the II currency
- 4 fields available to create the second unit of measurement of the desired weight, through the input of the unit of measurement, the conversion factor to [kg] and the number of decimals
- 5 fields available to create the second desired currency, by inserting the symbol of the currency, the conversion factor against the [€], the number of decimals, the minimum denomination (0, 1 or 5) and currency by weight (standard [€/kg])

Label formats

Customizable label formats: 1000 (print format editable on the machine)

Rotation of label size: 0°, 90°, 180°, 270°

Field rotation

Nutrition data

Print nutrition data in table format

Print data for standard size (100 g) and/or per portion

Print RDA

Automatic totals and manuals

Automatic:

- total box
- total pallet
- total production
- cancellation of the last two accumulated boxes

Manuals:

- subtotal for PLU (without history)
- total for PLU
- total for traceability lot, lot/PLU
- cancellation of all partial working

Section I/O

2 USB 2.0

1 Ethernet

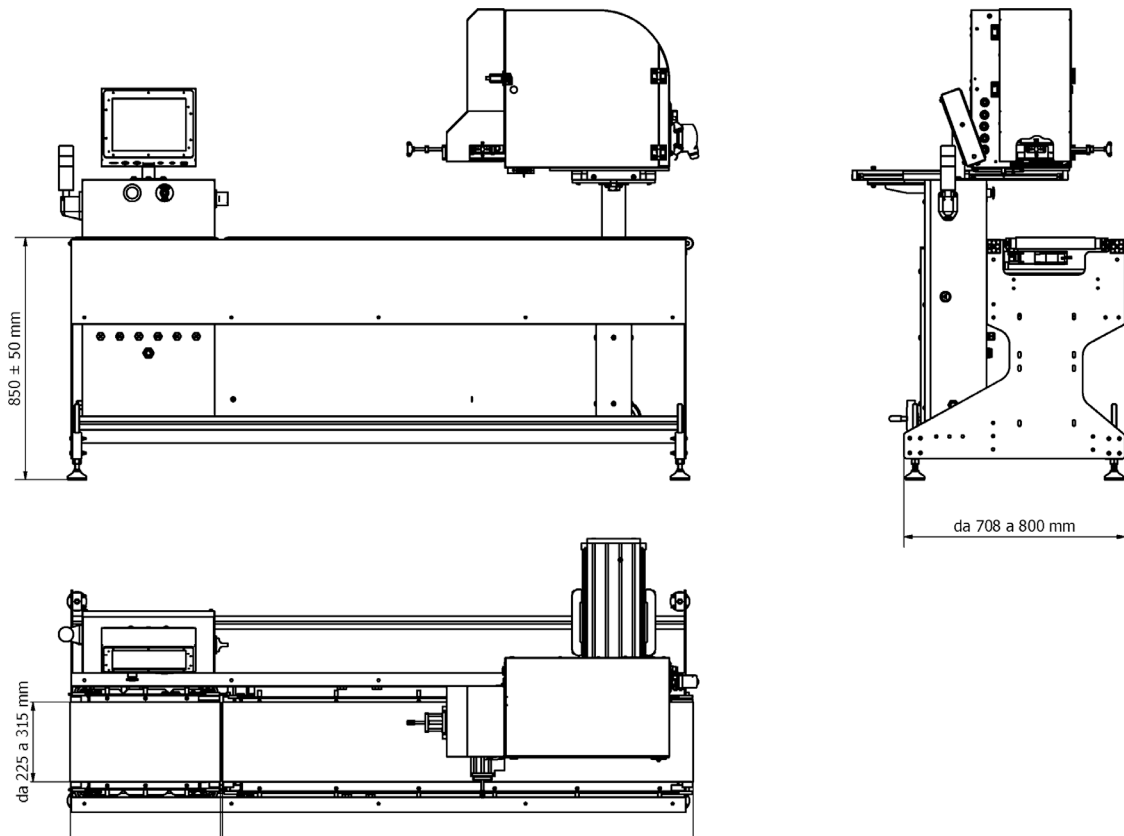
2 Electrical signals (clean contacts)

Diagnostic

Continuous monitoring of machine status and all integrated systems (downstream consent, fault motors, dimensions on the belts and all errors resulting from the printing system such as end paper, end ribbon, paper passage and printhead)



LAYOUT



DIMENSIONS

CADENCER	WEIGHING	LABELLING
-	225x510	225x570
-	225x510	225x1600
-	270x510	270x570
-	270x510	270x1600
-	315x510	315x570
-	315x510	315x1600

