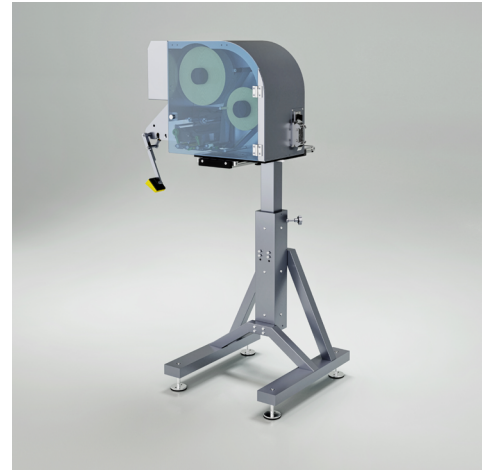


Data sheet

SAP A PLUS

PRODUCT DESCRIPTION

Automatic print and apply labeling machine with pneumatic arm.
Fully configurable and integrated with external software.



MAIN FEATURES

- Cadences up to 120 ppm
- Working temperature: from 0°C to +40°C
- Power supply: 230 Vac (Hz 50/60)
- Maximum power: 0.55 kW
- Structure and carpentry in aluminum and stainless steel
- Machine management via PLC
- Printing method: thermal and/or direct transfer
- Resolution: 8 dots/mm, 203 dpi (optional: 12 dots/mm, 300 dpi)
- Print speed: 203 dpi, 457 mm/s - 300 dpi, 300 mm/s
- Label dimensions: from 40x40 to 100 mm x 110 mm
- Print width: 104 mm
- Internal roll diameter: 76 mm
- Roll external diameter: 300 mm
- Ribbon capacity of 600 meters
- Label application via rotary pneumatic arm with sponge application plate, consumption 4/6 bar 40 l/min, multi-label chamber with mechanical adjustment and position indicator
- Mechanical movement of vertical printing group

OPTIONS

- Resistive PC/Panel 12" display, suitable for use with gloves and in the presence of water/condensation
- Print resolution: 300 dpi, speed 300 mm/s
- 2D camera for presence of the label
- 2D camera for reading QR Code
- External PROFIBUS interface, Profibus protocol with PCB
- Communication protocol ETHERCAT
- Conveyor belts
- Side print unit positioning kit

SOFTWARE

Machine management program

Program for printing and editing labels with Sw custom label image technology.

Selectable functions

- 3 levels of login details with log-ins recorded on database
- Conveyor cycle processing mode (no labelling) or automatic labelling from below and/or above (optional)
- Management of machine parameters (belt speed, delays and application parameters) from PLU database, with the option of adapting these features to each product in transit
- Management of printing information directly on the print layout, as fixed text and/or made variable either by selecting from the 'items with variables' database or reading text files, where both features provide the option of acquiring data from the network
- Possible use of html formatting tags for all texts, which allow the text style to be changed (bold, italic, underlined, etc.), supporting different types (fonts, alignments, sizes, bold, etc.) in the same text
- Driver configuration and management of the main features of the printing systems present, such as status and reset, feed, print last label and calibration commands
- Remote database management through the exchange of csv files in shared folders, with the option of importing the PLU master data, the list of all the labels and the variables printing information linked to them (items with variables database), and exporting the information on the processes carried out, showing the sequential number, the machine ID, the start date and time, the code and description of the item with variables (label), the printer used, the name of the label and the variables information linked to it (processing log database)
- Remote machine management via socket (IP address and port) with possible commands for status request, PLU selection for the product in transit, automation start/stop, SAP On/Off and Label printing, SAP.AS On/Off and Label printing, Item selection with SAP variables and Item selection with SAP.AS variables
- Multilingual selection
- Remote support
- Network-based machine management software with Label Server communication protocol (optional)
- Network-based software for editing labels (optional)

PLU

PLU number: 9999

Each PLU is made up of 11 fields comprising machine parameters and parameters of the two printing systems, namely:

- alphanumeric primary key of max. length 10, unique PLU ID code
- 1 text field with max. length of 50 characters, available for the description of the product to be used
- 1 integer field available for setting the machine speed
- 4 integer fields available for the SAP.AS printer for setting the application tape speed, application delay, number of copies and any delay between the copies
- 4 integer fields available for the SAP printer for setting the application delay, number of copies and any delay between the copies, pneumatic arm stroke

ITEM WITH VARIABLES

Number of variables or labels: 9999

Each variable is made up of 4 fields, namely:

- Alphanumeric primary key of max. length 10, unique ID code of the variable stored in the processing log
- 1 text field with max. length of 50 characters, available for the description of the variable used
- 1 text field with max. length of 500 characters, available for indicating the name of the print format used
- 1 text field with max. length of 4000 characters, available for containing the variables printing information used in the label

Note: in processing mode with information from a file, the same information viewed for items with variables is managed by a group of text files available for each printing system present, respectively code.txt, description.txt, infovar.txt, layout.txt, present in the respective data exchange folders to be managed over the network

Label formats

Customisable label formats (editable print format on the machine)
Rotation of the label format: 0, 90, 180, 270
Rotation of fields
Print in bold, italic, underlined, single font
Supports different fonts, not just per line
Supports and prints logos
Support of all barcodes

I/O section

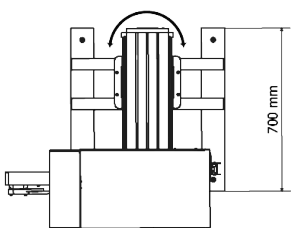
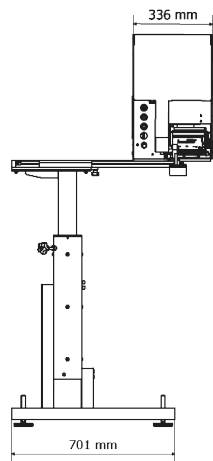
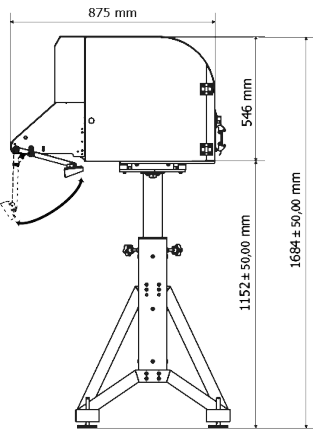
1 USB 2.0
1 Ethernet
2 Electrical signals (potential-free contacts)

Diagnostics

Continuous monitoring of the status of the machine and all integrated systems (consent from downstream, motor failure, encumbrances on the belts and all errors resulting from the printing system such as paper end, ribbon end, paper passage and wear of the print head)



LAYOUT



DIMENSIONS

CADENCER	WEIGHING	LABELLING
-	275x570	-
-	320x570	-

